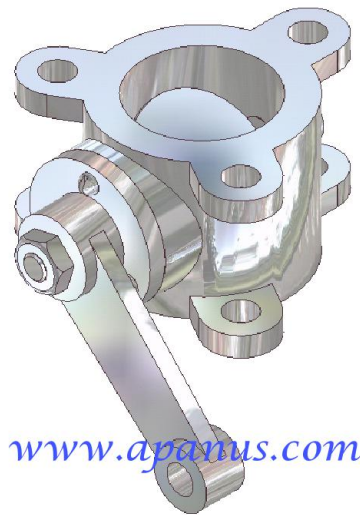


## Butterfly Valve Assembly

Create the components of the Butterfly Valve assembly and then assemble them, as shown in Figure 1. The dimensions of the components are shown in Figures 2 through 7. Assume the missing dimensions.



[www.apanus.com](http://www.apanus.com)

Figure 1 The Butterfly Valve assembly

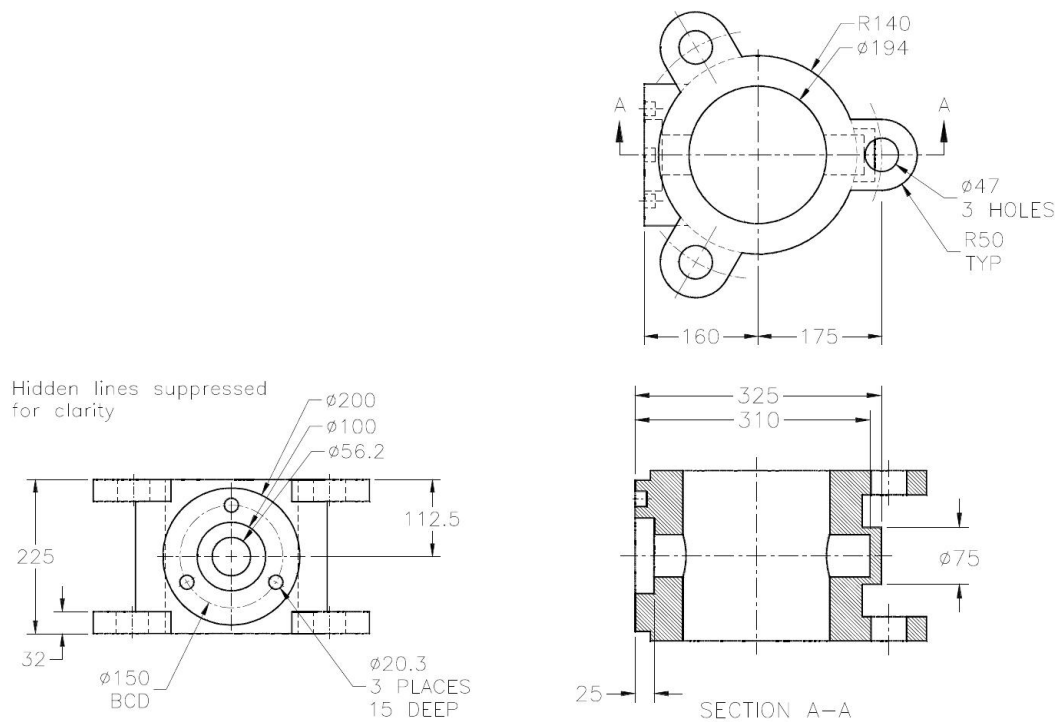


Figure 2 Dimensions of the Body

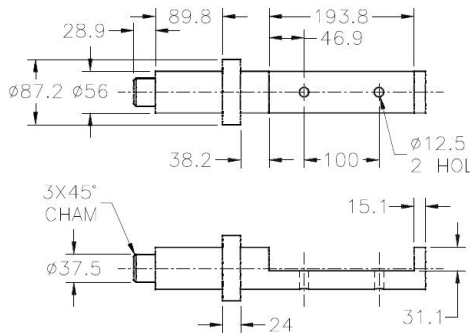


Figure 3 Dimensions of the Shaft

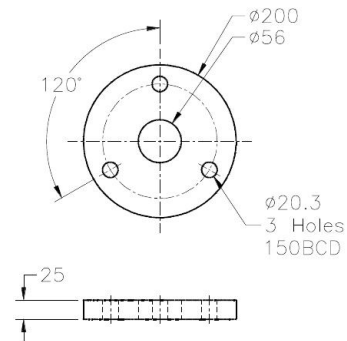


Figure 4 Dimensions of the Retainer

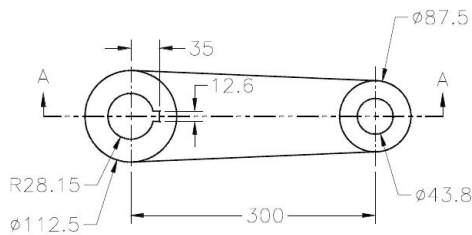


Figure 5 Top view of the Arm

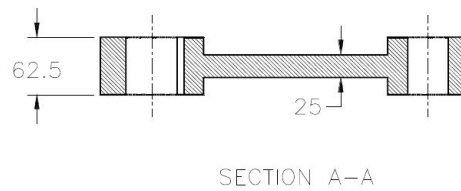


Figure 6 Sectional front view of the Arm

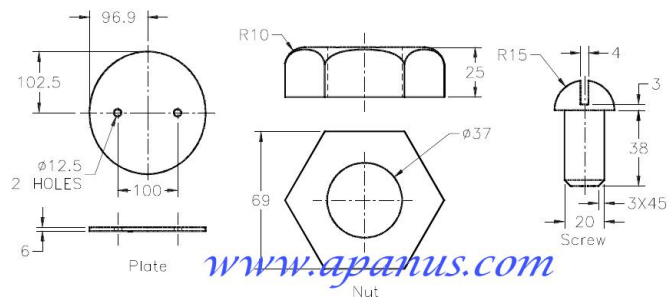


Figure 7 Dimensions of the Plate, Nut, and Screw